

Two-Way Connector Clamps

Aluminum, Multi Part Assembly,
Unequal Bore Dimensions d_1 / s_1 and d_2 / s_2

SPECIFICATION

Identification No.

No. 2: With 4 stainless steel socket cap screws DIN 912

Aluminum

- Powder coated
Black, RAL 9005, textured finish **SW**
- Plain, matte shot-blasted **BL**

Socket cap screws DIN 912
Stainless Steel AISI 304

Hex nuts DIN 985
Stainless Steel AISI 304
Self-locking via polyamide ring

INFORMATION

The clamping bores of two-way connector clamps GN 135 are designed for construction tubes GN 990 (see page 1902) or DIN 2391, DIN 2395 and DIN 2462.

The square designs are also suitable for use with **profile systems**.

The bores and squares are arranged in such a way that an adaptation between different tube cross-sections is possible.

At the screw locations z_1 / z_2 , the socket cap screws reduce the bore cross-section for clamping.

For clamping without tools, the socket cap screws can be replaced by the adjustable hand levers GN 911 (see page 1874) listed in the table as accessories.



ACCESSORY

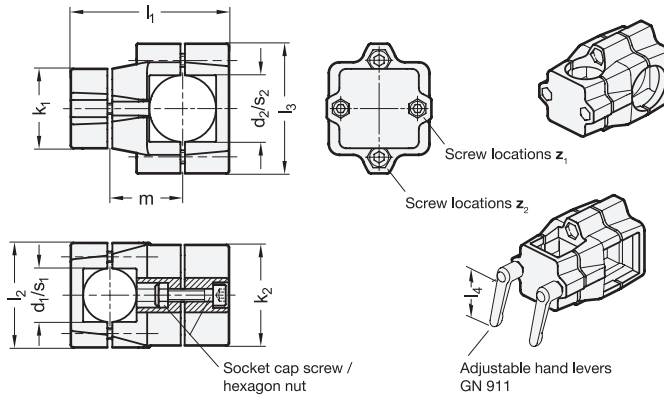
- Adjustable Hand Levers GN 911 (see page 1874)

ON REQUEST

- Other bore and square combinations d_1 / s_1 and d_2 / s_2

TECHNICAL INFORMATION

- Stainless Steel Characteristics (see page A26)



* Complete with

SW **BL**
RAL9005 Plain

GN 135

Description	d_1	s_1	d_2	s_2	k_1 Clamping length	k_2 Clamping length	l_1	l_2	l_3	m	z_1 Screw locations	z_2 Screw locations	Accessory Recom. hand lever GN 911 for z_1 l4	Accessory Recom. hand lever GN 911 for z_2 l4	⚖
GN 135-B30-V40-60-2-*	B 30	-	-	V 40	60	76	120	79	98	55	M8-50	M10-55	63 78	78 92	750
GN 135-V30-V40-60-2-*	-	V 30	-	V 40	60	76	120	79	98	55	M8-50	M10-55	63 78	78 92	730
GN 135-B30-B40-60-2-*	B 30	-	B 40	-	60	76	120	79	98	55	M8-50	M10-55	63 78	78 92	800
GN 135-V30-B40-60-2-*	-	V 30	B 40	-	60	76	120	79	98	55	M8-50	M10-55	63 78	78 92	747
GN 135-B30-V50-60-2-*	B 30	-	-	V 50	60	76	120	79	98	55	M8-50	M10-55	63 78	78 92	880
GN 135-V30-V50-60-2-*	-	V 30	-	V 50	60	76	120	79	98	55	M8-50	M10-55	63 78	78 92	704
GN 135-B30-B50-60-2-*	B 30	-	B 50	-	60	76	120	79	98	55	M8-50	M10-55	63 78	78 92	728
GN 135-V30-B50-60-2-*	-	V 30	B 50	-	60	76	120	79	98	55	M8-50	M10-55	63 78	78 92	721
GN 135-B40-B50-60-2-*	B 40	-	B 50	-	60	76	120	79	98	55	M8-50	M10-55	63 78	78 92	550
GN 135-V40-B50-60-2-*	-	V 40	B 50	-	60	76	120	79	98	55	M8-50	M10-55	63 78	78 92	689
GN 135-B40-V50-60-2-*	B 40	-	-	V 50	60	76	120	79	98	55	M8-50	M10-55	63 78	78 92	500
GN 135-V40-V50-60-2-*	-	V 40	-	V 50	60	76	120	79	98	55	M8-50	M10-55	63 78	78 92	783

Weight SW